

Magnet spacers

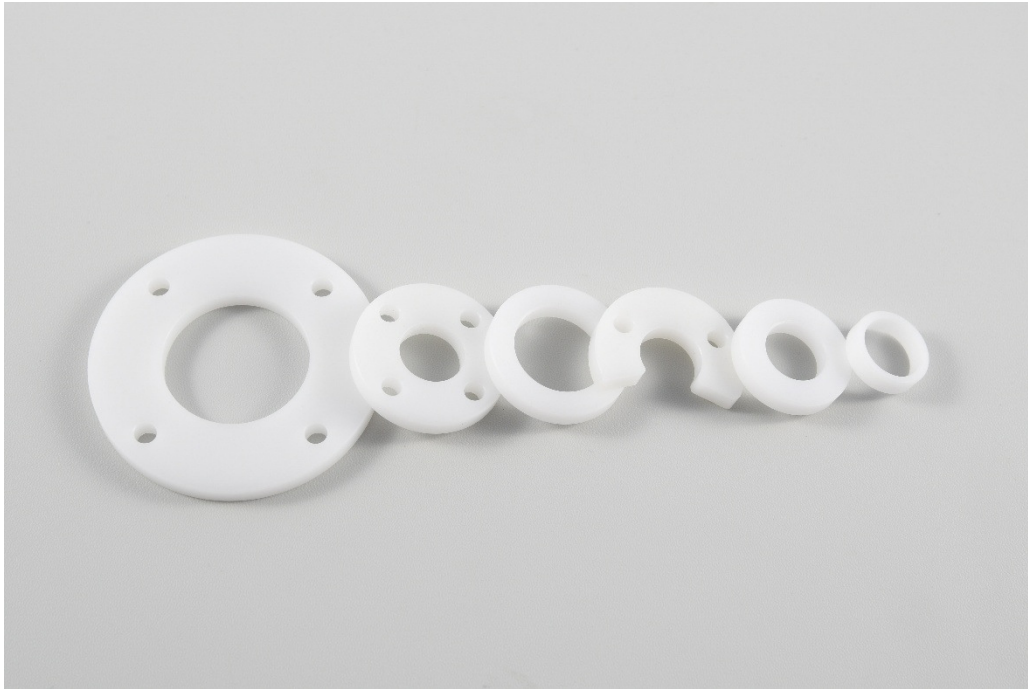
Plastic (POM)



Technical information

Version 08-06-2026

Magnet spacers



- For use with Temposonics position magnets
- The correct spacer for each magnet type
- Spacer creates the optimal clearance between magnet and ferrous material
- Ideal for mounting Temposonics sensors in hydraulic cylinders
- Temperature range -40 ... +100 °C
- Material POM (Polyoxymethylen)

Right to technical changes and errors reserved.

Internet: www.tsb-bescom.nl
Email: sales@tsb-bescom.nl
Phone: +31 316250800

Description

The plastic spacers have been specifically developed for mounting in combination with Temposonics magnets in hydraulic cylinders. With a thickness of 5 mm or 8 mm, they ensure the correct distance between the magnet and the (ferromagnetic) piston rod.

Temposonics position sensors operate on the magnetostrictive measuring principle and use a magnet to determine the position. For sensors designed for use in hydraulic cylinders, a variety of different magnets are available. The corresponding distance spacers are available for these magnets.

Technical data spacers 5 mm

	ABSPEC034	ABSPEC035	ABSPEC036	ABSPEC037
Temposonics				
Magnet type	251416-2	201542-2	400533	401032
Dimensions				
Outer diameter (OD)	32,8 mm	32,8 mm	25,4 mm	17,4 mm
Inner diameter (ID)	13,5 mm	13,5 mm	13,5 mm	13,5 mm
Thickness	5 mm	5 mm	5 mm	5 mm
General				
Design	140° open	Closed	Closed	Closed
Mounting holes	2	4	-	-
Material	POM (Polyoxymethylen)			
Temperature range	-40...100°C			
Weight	3,3 g	4,5 g	2,5 g	0,66 g

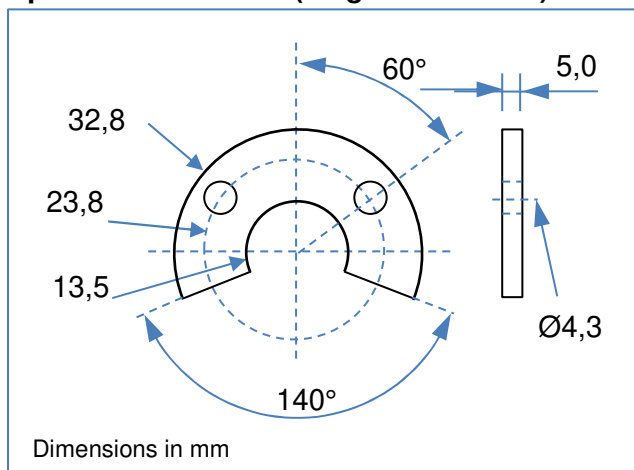
	ABSPEC038	ABSPEC039	ABSPEC040	ABSPEC041
Temposonics				
Magnet type	402316	MT0162	AP0117	M2/R
Dimensions				
Outer diameter (OD)	30,5 mm	60,0 mm	25,4 mm	22,0 mm
Inner diameter (ID)	19,8 mm	30,0 mm	13,6 mm	13,6 mm
Thickness	5 mm	5 mm	5 mm	5 mm
General				
Design	Closed	Closed	Closed	Closed
Mounting holes	-	4	4	-
Material	POM (Polyoxymethylen)			
Temperature range	-40...100°C			
Weight	3,0 g	14,5 g	2,3 g	2,0 g

Technical data spacers 8mm

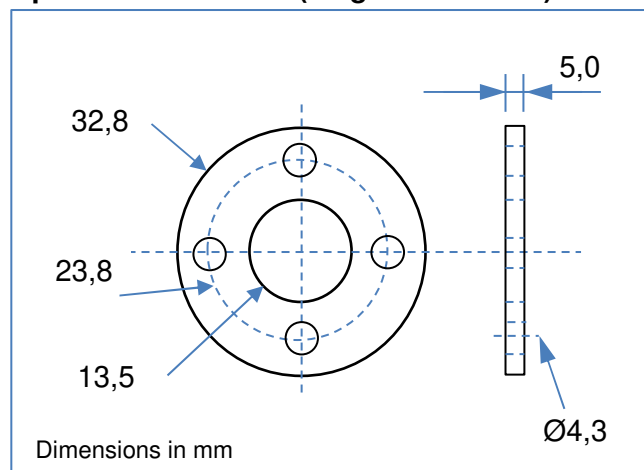
	ABSPEC035-8	ABSPEC036-8	ABSPEC037-8
Temposonics			
Magnettype	201542-2	400533	401032
Dimensions			
Outer diameter (OD)	32,8 mm	25,4 mm	17,4 mm
Inner diameter (ID)	13,5 mm	13,5 mm	13,5 mm
Thickness	8 mm	8 mm	8 mm
General			
Design	Closed	Closed	Closed
Mounting holes	4	-	-
Material	POM (Polyoxymethylen)		
Temperature range	-40...100°C		
Weight	7,2 g	4,0 g	1,06 g

Dimensions spacers 5mm

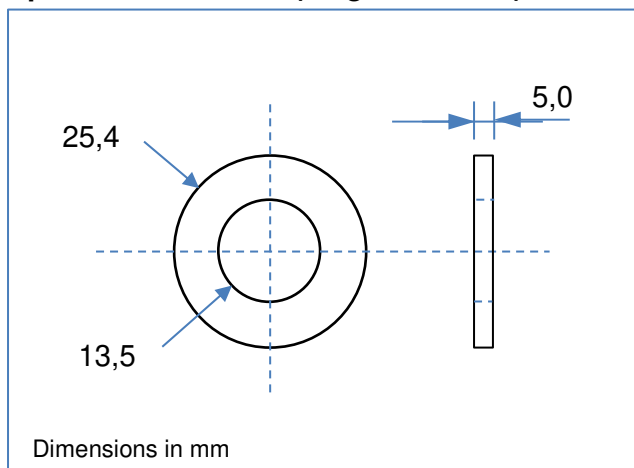
Spacer ABSPEC034 (magnet 251416-2)



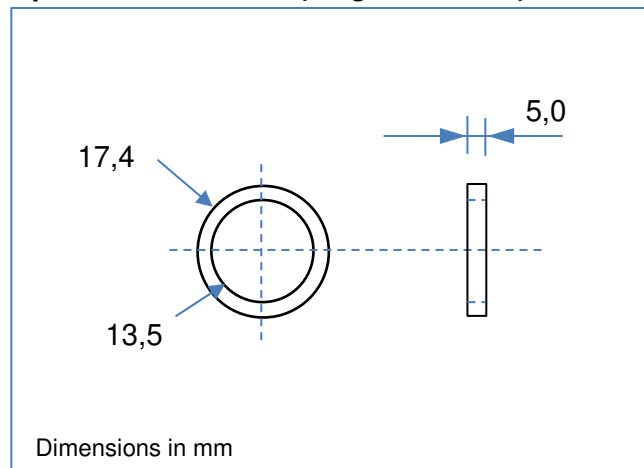
Spacer ABSPEC035 (magnet 201542-2)



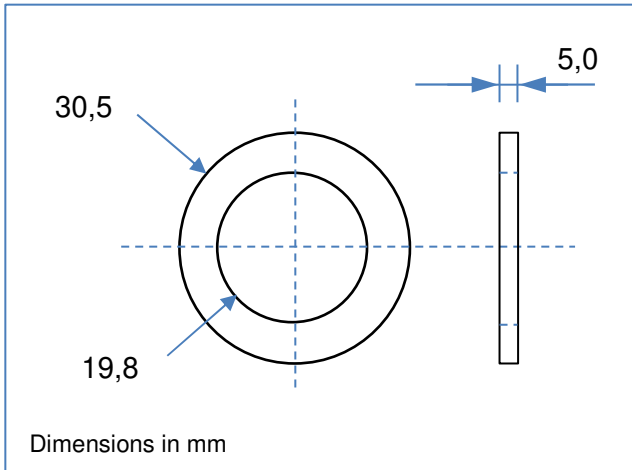
Spacer ABSPEC036 (magnet 400533)



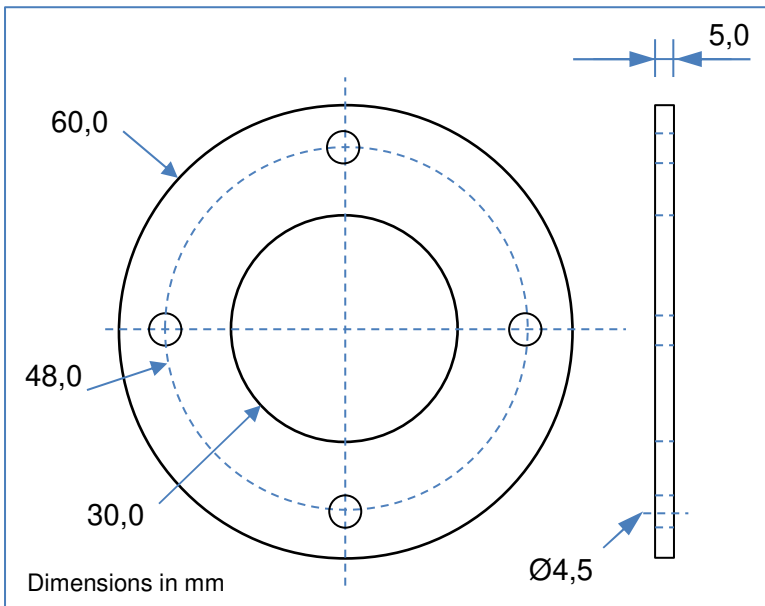
Spacer ABSPEC037 (magnet 401032)



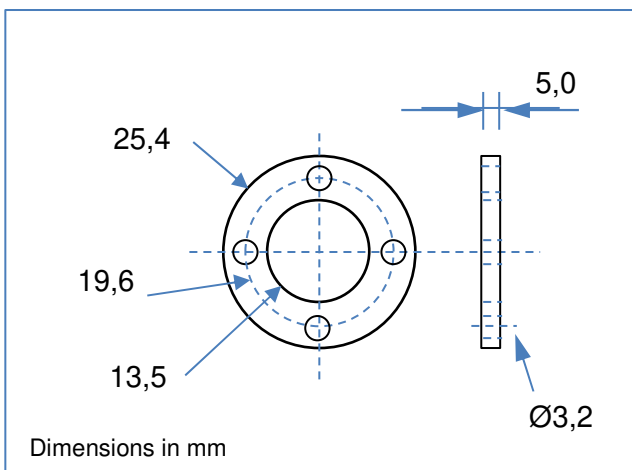
Spacer ABSPEC038 (magnet 402316)



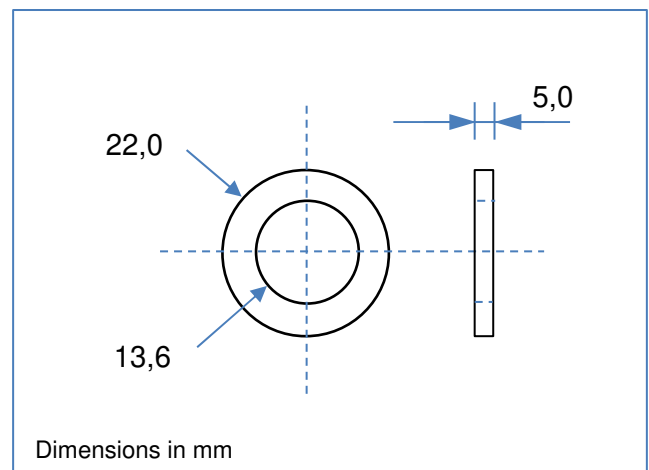
Spacer ABSPEC039 (magnet MT0162)



Spacer ABSPEC040 (magnet AP0117)

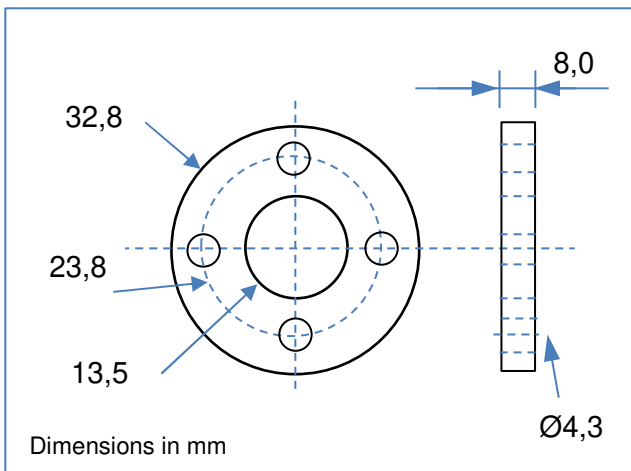


Spacer ABSPEC041 (magnet M2/R)

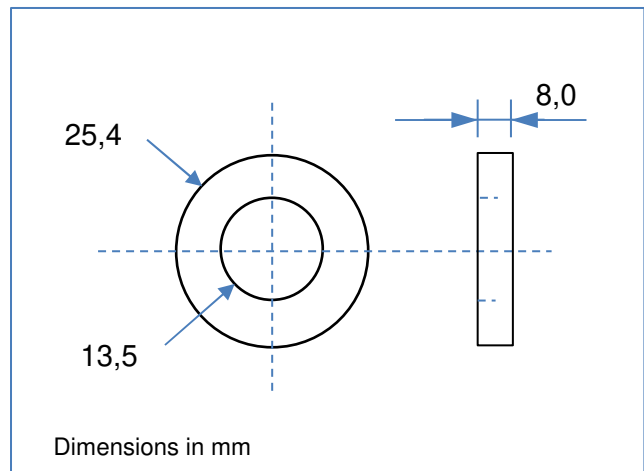


Dimensions spacers 8mm

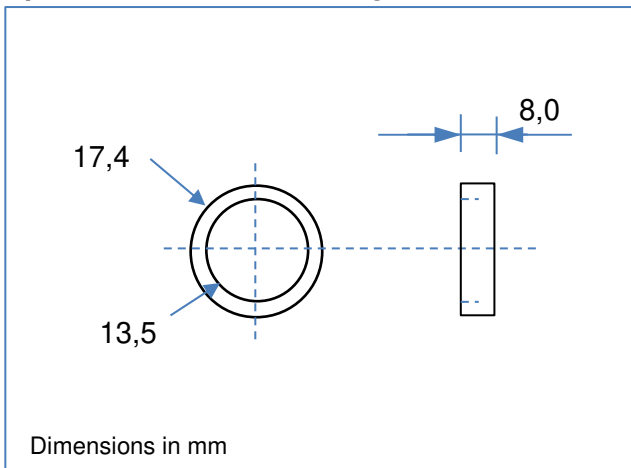
Spacer ABSPEC035-8 (magnet 201542-2)



Spacer ABSPEC036-8 (magnet 400533)



Spacer ABSPEC037-8 (magnet 401032)



Order information spacers 5mm

Article	Description	Diameter
ABSPEC034	251416-2 Spacer	D = 32,8 mm
ABSPEC035	201542-2 Spacer	D = 32,8 mm
ABSPEC036	400533 Spacer	D = 25,4 mm
ABSPEC037	401032 Spacer	D = 17,4 mm
ABSPEC038	402316 Spacer	D = 30,5 mm
ABSPEC039	MT0162 Spacer	D = 60,0 mm
ABSPEC040	AP0117 Spacer	D = 25,4 mm
ABSPEC041	M2/R Spacer	D = 22,0 mm

Order information spacers 8mm

Artikel	Omschrijving	Diameter
ABSPEC035-8	201542-2 Spacer	D = 32,8 mm
ABSPEC036-8	400533 Spacer	D = 25,4 mm
ABSPEC037-8	401032 Spacer	D = 17,4 mm



tsb-bescom bv
Sporallee 8
6921HZ Duiven
Phone: +31 316250800
Internet: www.tsb-bescom.nl
Webshop: webshop.tsb-bescom.nl
Email: sales@tsb-bescom.nl